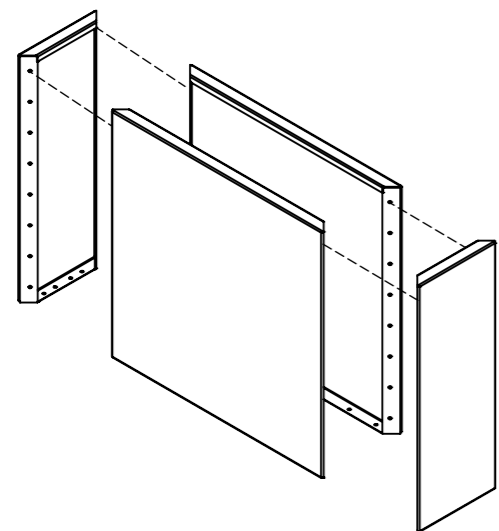
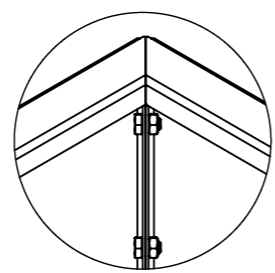


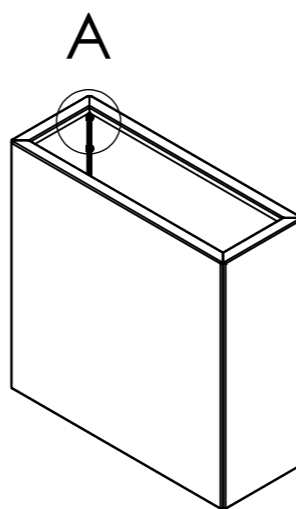
1



2X

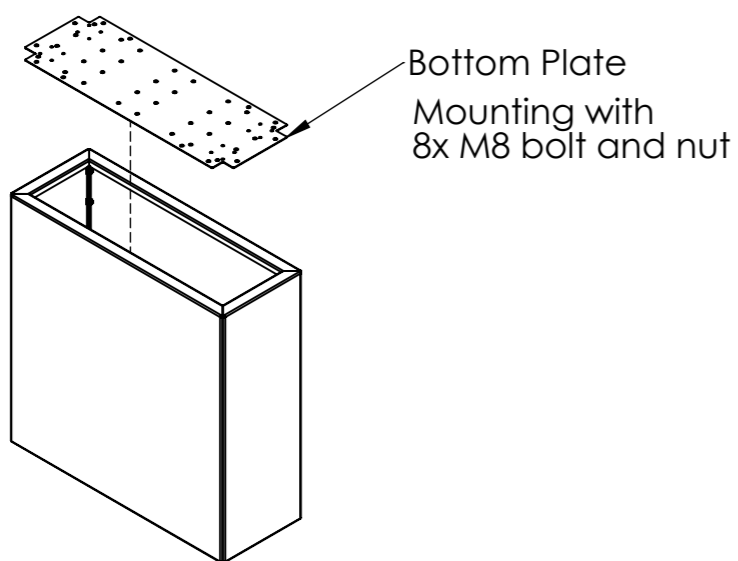


DETAIL A
SCALE 1 : 5

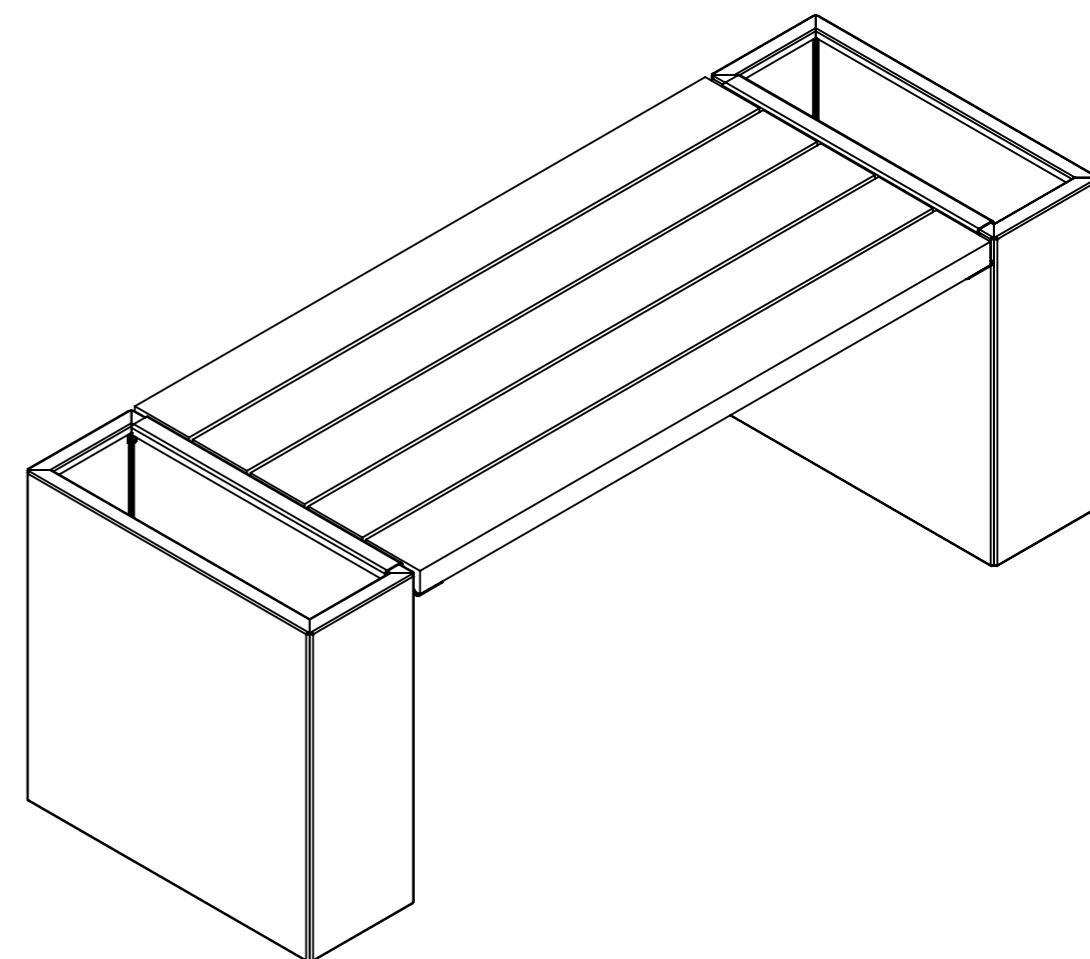
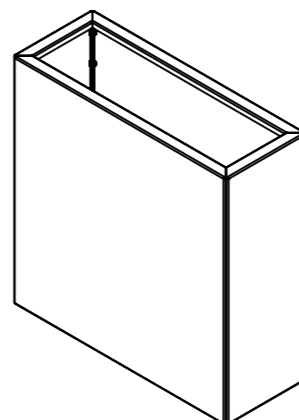


PLANTER TABLE

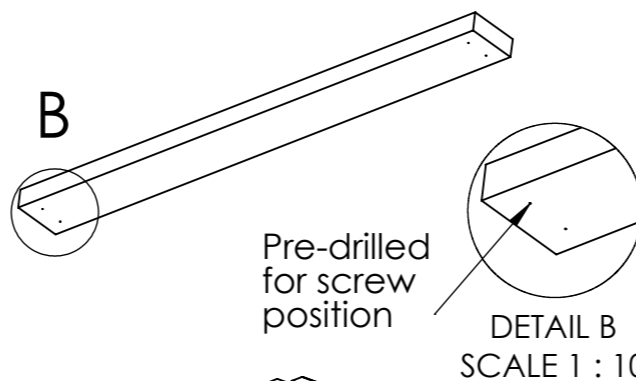
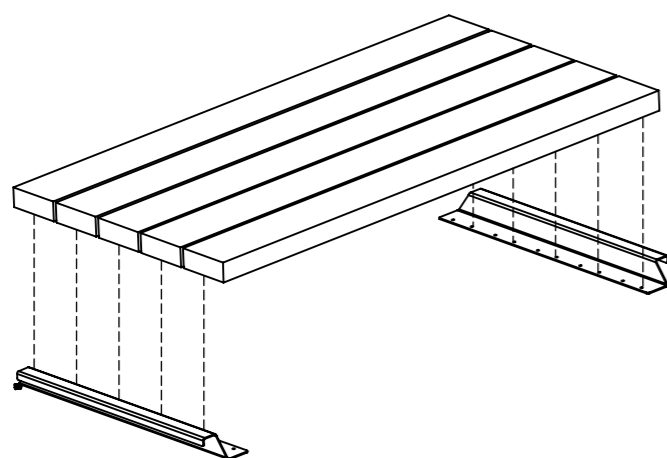
1-A



Bottom Plate
Mounting with
8x M8 bolt and nut



2



Pre-drilled
for screw
position

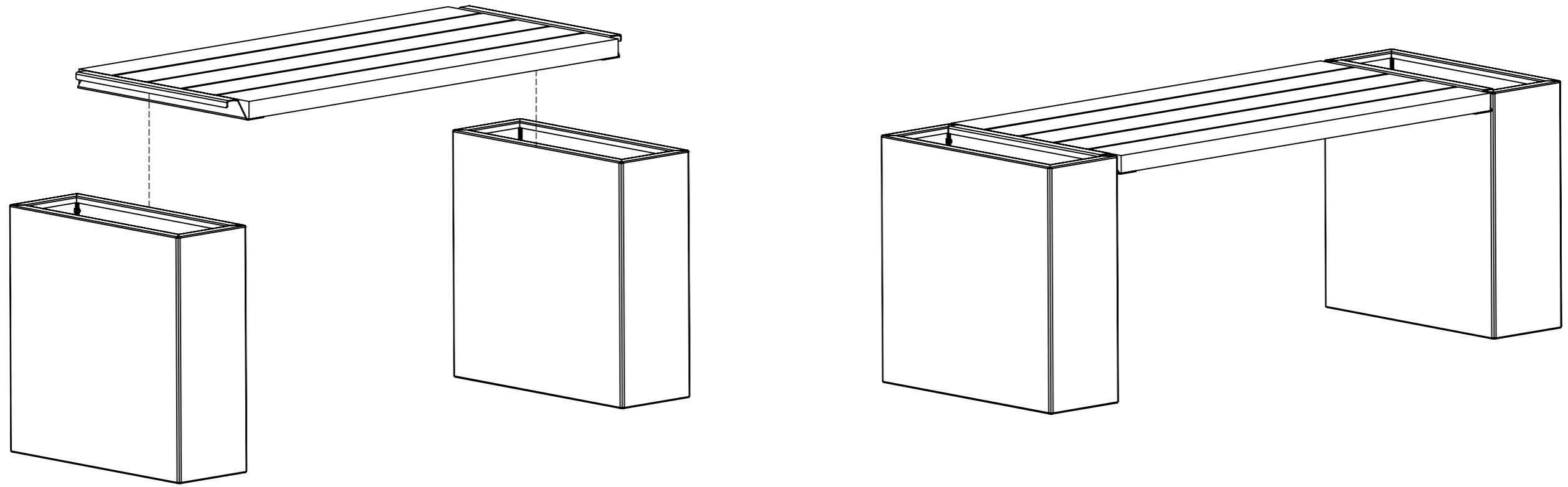
DETAIL B
SCALE 1 : 10

Model: *PLANTER TABLE*

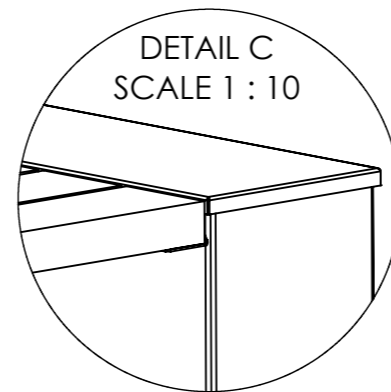
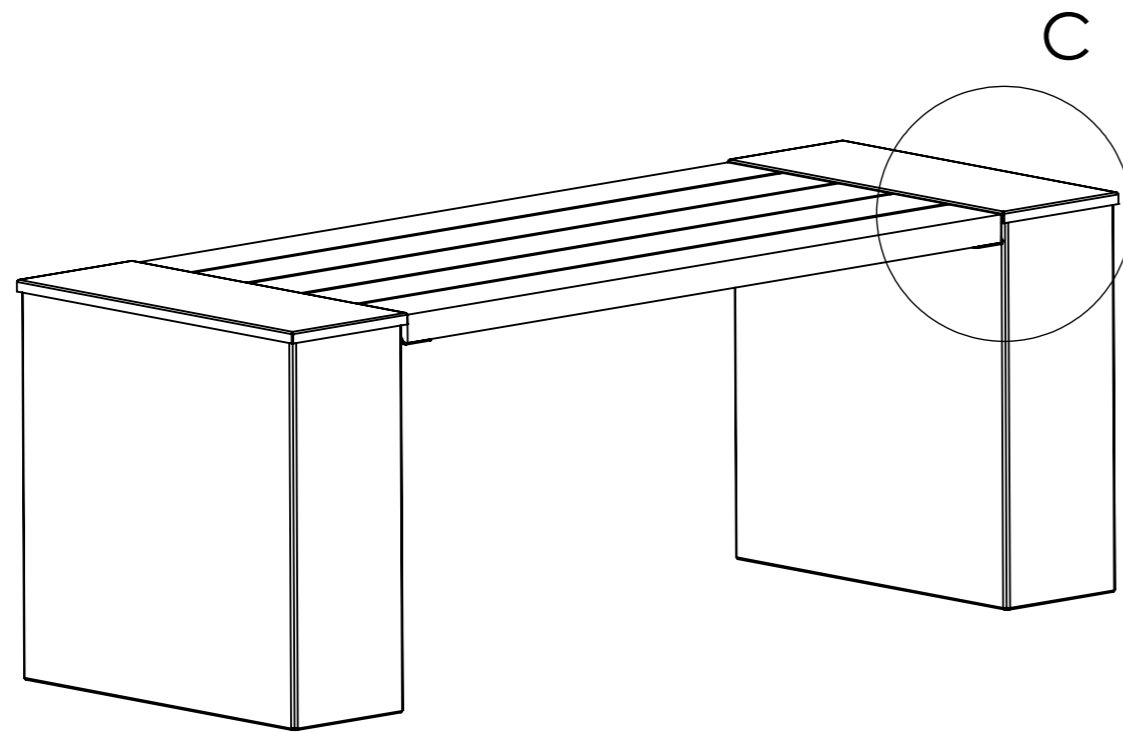


MySteel BV
Houtakker 1
5761 DD Bakel
The Nederlands
info@mysteel.nl

3



OPTIONAL:



Planter lid

Model: *PLANTER TABLE*



MySteel BV
Houtakker 1
5761 DD Bakel
The Netherlands
info@mysteel.nl